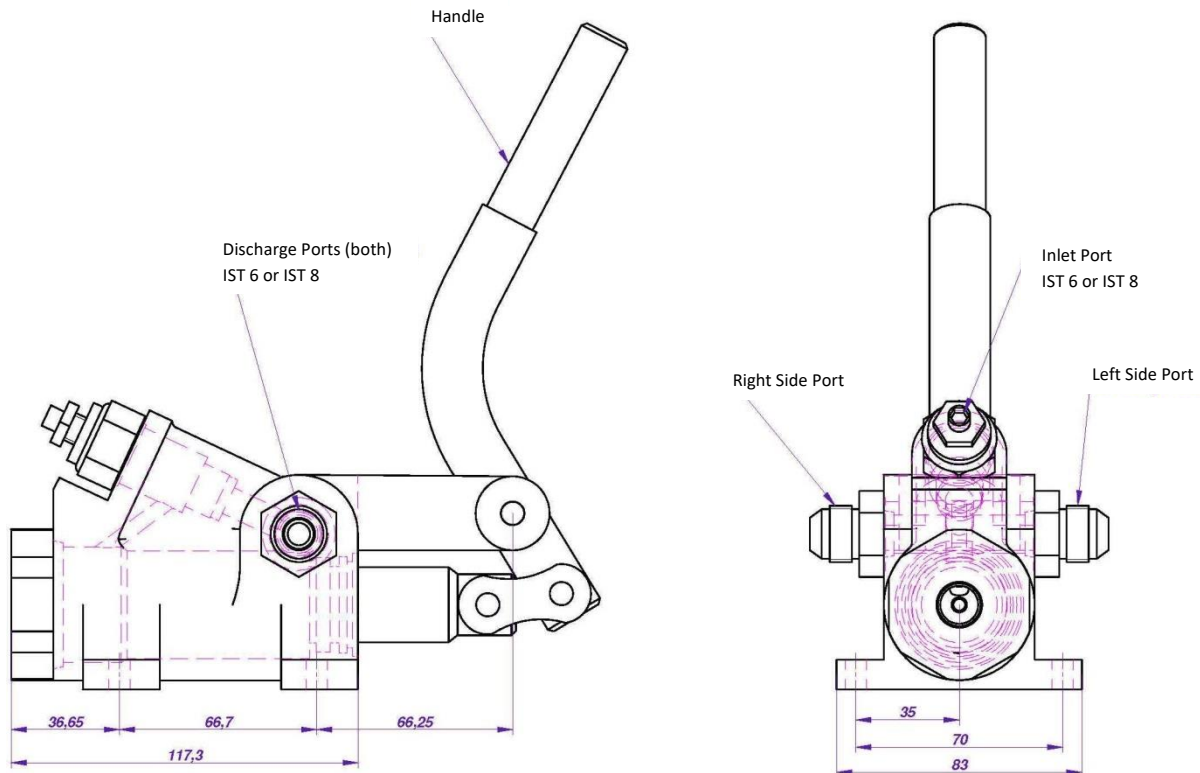


# 910 Series Hand Pump Catalogue

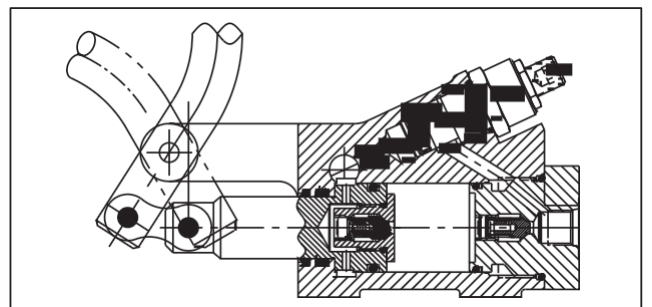
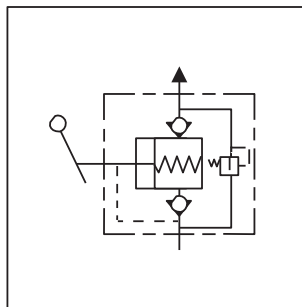
## General View



Weight: Approximately 2,7 Kg

## General Description

Series 910 hand pumps are double-acting with relief valve providing primary, backup or emergency hydraulic power. Series 910 incorporates a cartridge relief that provides a smooth, quick unloading of the pump should the system become overloaded. The hand pumps can be utilized anywhere; at any time, that hydraulic power is required, since the hand pump does not require an electrical or mechanical power source. They can be mounted in any position.



## Usage

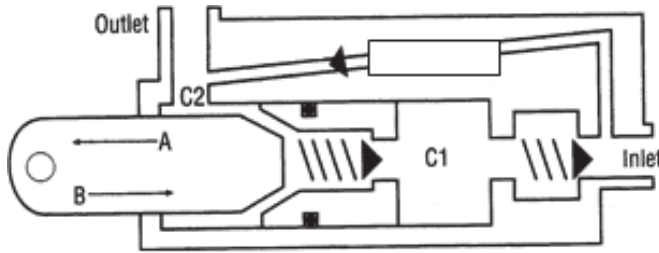
### **Piston Stroke — Direction A**

Chamber C1 draws in fluid through INLET while chamber C2 discharges fluid through OUTLET.

### **Piston Stroke — Direction B**

Volume in chamber C1 is transferred to chamber C2. Since chamber C2 holds half the volume of chamber C1, half of the fluid in chamber C2 is discharged through the OUTLET port.

# 910 Series Hand Pump Catalogue



## Features

- Lightweight, double-acting hand pump
- Relief valve cartridge is a dependable, proven component that will protect any circuit from over pressurizing.
- Provides long maintenance-free service for any application where auxiliary hydraulic power is required

## Specifications

Working	Manual Pump that does not require any external electric or mechanic power supply	Materials	
Displacement	2 strokes per cycle	Body	Aluminum
Operating Temperature Range	-40°C to 121°C (-40°F to 250°F)	Piston Handle Extension	Steel
Operating Arc	60°	Poppets	Stainless Steel
Fluids	Hydraulic Oil	Springs	Steel
Sizes	IST 6, IST 8	O-Ringler	Synthetic Rubber
Port Types	IST	Handle	Steel
Mounting	Flanges (4) 7 mm. Diameter holes	Relief Valve Cartridge	Steel

**Important Note:** 910 Series manual hand pumps have several types. Different material types and connections might have differences. Please mention in details during ordering.